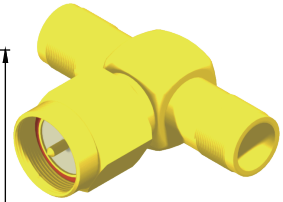
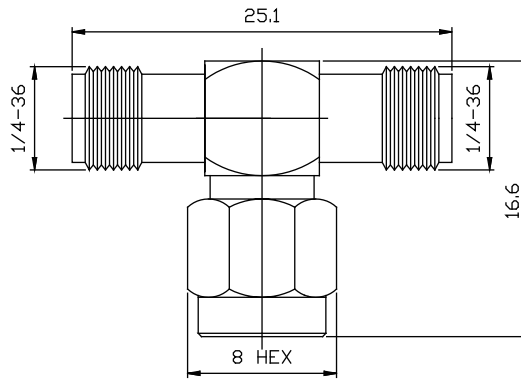


## SMA Conn. Series

10	PIN	BRASS	GOLD	1
9	BODY	BRASS	GOLD	2
8	SHELL	BRASS	GOLD	1
7	GASKET	BRASS		1
6	RETAINING RING	BRASS	GOLD	1
5	DIELECTRIC	TEFLON		1
4	DIELECTRIC	TEFLON		2
3	PIN	BRASS	GOLD	1
2	BODY	BRASS	GOLD	1
1	BODY	BRASS	GOLD	1
NO	DESCRIPTION	MATERIAL	FINISH	QTY

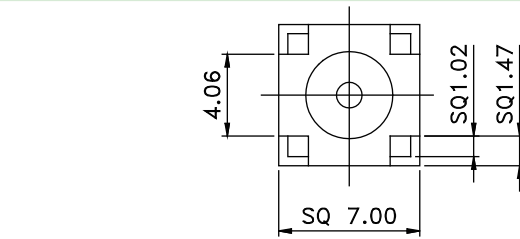


IMPEDANCE	50/75 OHM
FREQUENCY	0-12 GHz
DIELECTRIC WITHSTANDING VOLTAGE 50 Hz RMS	1000V
WORKING VOLTAGE DC	500V
INSULATION RESISTANCE	5000 MEGOHMS MIN
CONTACT RESISTANCE	INNER CONDUCTOR ≤ 3 MILLIOHMS
	OUTER CONDUCTOR ≤ 0.5 MILLIOHMS
INSERTION LOSS (dB MAX.)	STRAIGHT CONNECTOR .15 dB MAX. AT 1.0GHz
	RIGHT ANGLE CONNECTOR .30 dB MAX. AT 1.0GHz

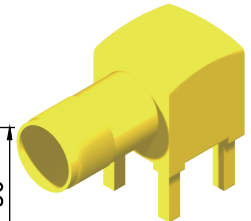
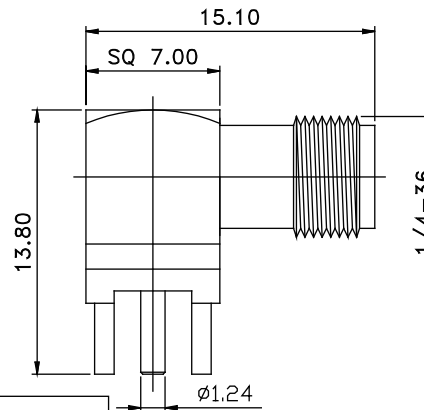
**P/N.:62SMAA05-MXGWN1**

Old P/N:SMA008-MXGW-L

5:50 Ω 7:75 Ω



5	DIELECTRIC	TEFLON		1
4	DIELECTRIC	TEFLON		1
3	PIN	BRASS	GOLD	1
2	BODY	BRASS	GOLD	1
1	BODY	BRASS	GOLD	1
NO	DESCRIPTION	MATERIAL	FINISH	QTY

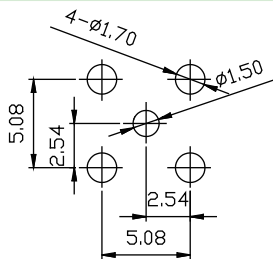


IMPEDANCE	50/75 OHM
FREQUENCY	0-12 GHz
DIELECTRIC WITHSTANDING VOLTAGE 50 Hz RMS	1000V
WORKING VOLTAGE DC	500V
INSULATION RESISTANCE	5000 MEGOHMS MIN
CONTACT RESISTANCE	INNER CONDUCTOR ≤ 3 MILLIOHMS
	OUTER CONDUCTOR ≤ 0.5 MILLIOHMS
INSERTION LOSS (dB MAX.)	STRAIGHT CONNECTOR .15 dB MAX. AT 1.0GHz
	RIGHT ANGLE CONNECTOR .30 dB MAX. AT 1.0GHz

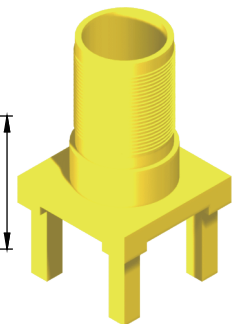
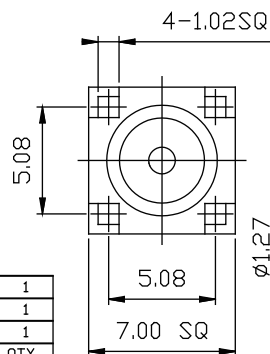
**P/N.:62SMAR01-FXGWN1**

Old P/N:SMA009-FXGW-L

5:50 Ω 7:75 Ω



3	DIELECTRIC	TEFLON		1
2	PIN	BRASS	GOLD	1
1	BODY	BRASS	GOLD	1
NO	DESCRIPTION	MATERIAL	FINISH	QTY



IMPEDANCE	50/75 OHM
FREQUENCY	0-12 GHz
DIELECTRIC WITHSTANDING VOLTAGE 50 Hz RMS	1000V
WORKING VOLTAGE DC	500V
INSULATION RESISTANCE	5000 MEGOHMS MIN
CONTACT RESISTANCE	INNER CONDUCTOR ≤ 3 MILLIOHMS
	OUTER CONDUCTOR ≤ 0.5 MILLIOHMS
INSERTION LOSS (dB MAX.)	STRAIGHT CONNECTOR .15 dB MAX. AT 1.0GHz
	RIGHT ANGLE CONNECTOR .30 dB MAX. AT 1.0GHz

**P/N.:62SMAD01-FXGWN1**

Old P/N:SMA010-FXGW-L

5:50 Ω 7:75 Ω